

Composite Closure Programme

40mm Band-Guard®

Band-Guard® is a new Press-On Twist-Off (PT) style composite closure. It combines all the advantages of metal and plastic caps into a single closure which guarantees an absolutely airtight seal and allows high retort application in glass containers.

The closure incorporates a metal disc with PVC free liner, tamper evident safety button and a plastic outer shell, with drop down tamper evident band.

Band-Guard® offers many advantages:

A dual tamper evident indicator: band and button

The button pops up with an audible click during first opening, when the vacuum is released. It provides a triple safety feature, as the consumer can see, feel and hear the change. The drop down safety band is visibly destroyed during first opening, providing clear evidence of tampering.

Ensured product quality

The closure ensures reduced oxygen permeation in comparison to plastic closures. It incorporates a PVC free compound.

Easy handling

The 40mm Band-Guard® is easy to open and has low removal torques. The cap has an excellent grip and is easy to handle with wet or dry hands.

Design

The closure has a premium look to ensure product differentiation at the point of sale. The metal disc can be printed with company



logo or other suitable design. The colour of the plastic shell is optional.

Applications

Potential applications include products which require cold and hot fill, pasteurisation or sterilisation, such as health and wellness drinks, baby food, top of the range sauces, jams, pickles and vegetables.

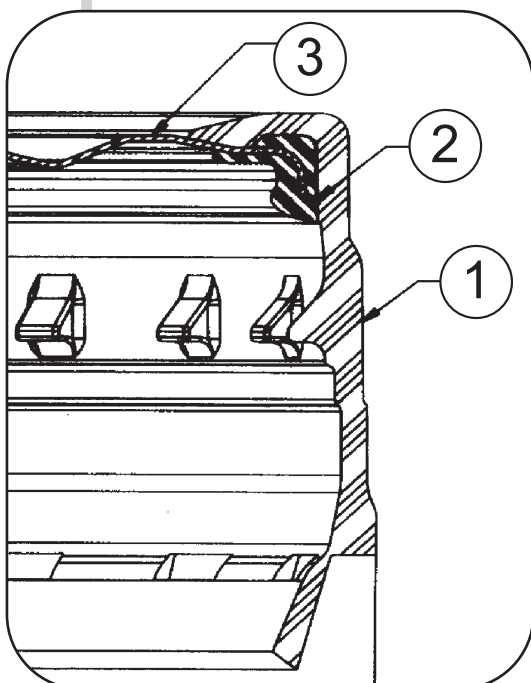
Technical Information

- **Characteristics**
 - PVC free liner
 - PT style composite closure
 - Dual safety: band & button
 - Reduced oxygen permeation compared to plastic caps
 - Low opening torques
- **Material**

Panel: metal
shell: polypropylene
- **Printing**

High quality offset printing of panel like all metal closures
- **Processing**

Cold and hot fill, pasteurisation, sterilisation
- **Features**
 - The use of straight line cappers is recommended
 - Comparable sealing features to PT
 - High line speed possible
 - Dud detection



- 1 = shell
2 = liner
3 = metal panel with button