

Equipment & Service: Sealing Machine

Silgan White Cap 500-1

Silgan White Cap 500-1 is the ideal combination of the machine concept "hygiene, cleanliness and reliability". It is a further development of type 500 and also includes technical experience gained from all other machine types. The optimised features are particularly ideal for capping at medium to high speeds.



The new Silgan White Cap 500-1 has the following features:

- Open frame of top quality stainless steel for optimal cleaning and minimum maintenance. Larger base area and extended machine bed provide better stability. The column spacing of the machine head has been enlarged
- An additional two-point head clamp stabilises the machine and reduces possible vibrations during production
- The new cam belt drive for the sealing and sidebelts results in less maintenance and at the same time reduces noise levels
- Split lower cap track to facilitate set-up and adjustment to different closure diameters
- Separate lateral drag arm optimises the capping rate
- Sliding doors integrated in the front door permit faster, better access

- Line speed is up to 500 jars or bottles per minute
- Electronic adjustment to different jar heights
- Frequency converter for speed control

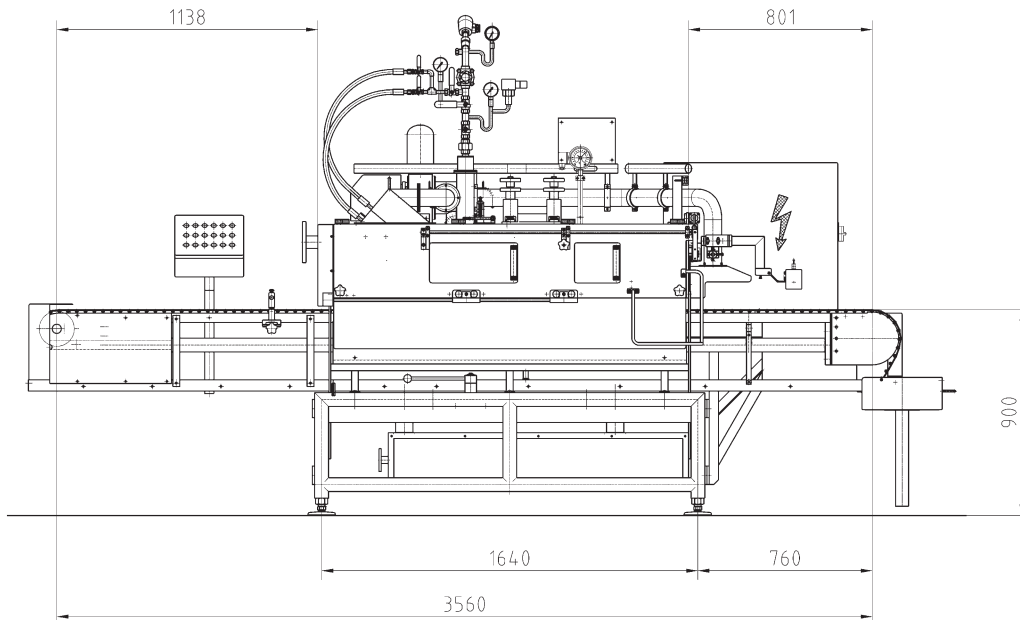
Other Features:

- Easy synchronisation with the filling machine
- Quick set-up and adjustment
- High vacuum efficiency
- Available in right or left-handed configuration



Technical Information

Sealing Machine Silgan White Cap 500-1



- **Electrical requirements** 400 V
50 Hz
5.0 kW
- **Steam requirements** 5 – 8 bar
30 – 90 kg/h
- **Steam supply line connection** R 3/4"
- **Exhaust pipe** Ø 150mm minimum
- **Preferably soft water** R 1/4"
0.25 m³/h
- **Max. line speed** 500 per min. for Twist-Off® and PT
- **Closure types** Suitable for all Twist-Off® and PT closure types with
Ø 27mm – 110mm

